

Introducing the
Marlee Float™
Surface Drain/Skimmer

State of the Art VORTEX TECHNOLOGY

- Made of HDPE pipe, polyethylene float and stainless steel fittings
- UV Resistant and virtually indestructible
- Fabricated to be part of the permanent outlet structure
- No moving parts
- Shielded weir prevents clogging
- Unique design traps floatables in basin and increases sediment trapping efficiency
- Subsurface drain continues to work in frozen conditions
- Three models to choose from with simple, cost effective conversion kits allow weir size to be easily changed
- Ships pre-assembled - Simple 5-minute Installation
- Third-party testing to verify flow rates and draw down times
- Patent Pending design



Made in Greer, SC

AUTHORIZED DISTRIBUTOR:

If there is not an Authorized Distributor in your area, please contact us at info@swfeesaver.com

www.swfeesaver.com

1-855-697-9333



Marlee Float™
Skimmer

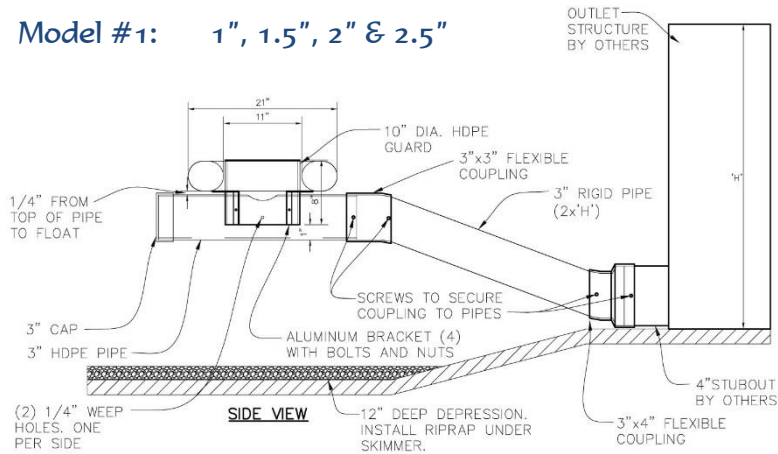


Surface Drain Sediment Control
And Water Quality Device

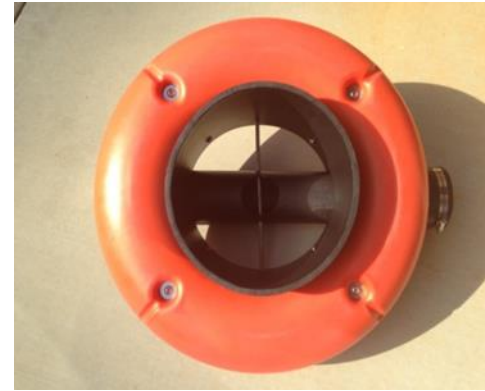
www.swfeesaver.com



Model #1: 1", 1.5", 2" & 2.5"



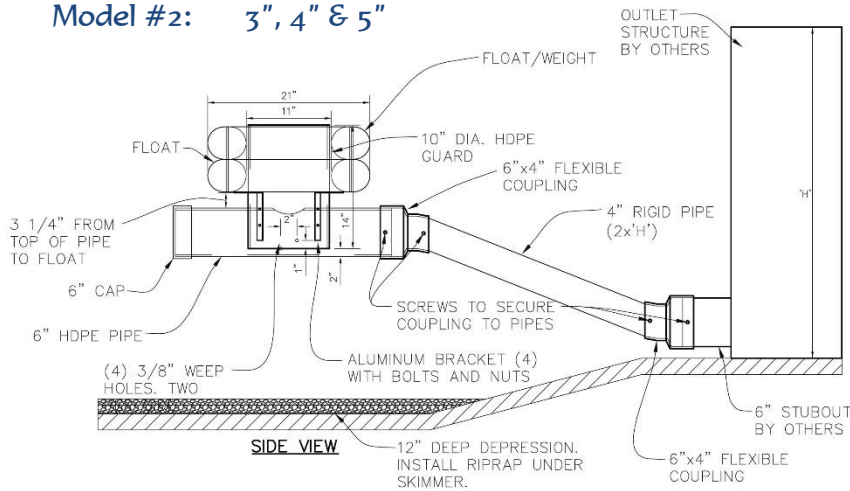
Model #1



PEAK FLOW RATES* (CFD / CFS)

- 1" – 1,983 / 0.023
- 1.5" – 3,485 / 0.040
- 2" – 7,432 / 0.086
- 2.5" – 9,222 / 0.107

Model #2: 3", 4" & 5"



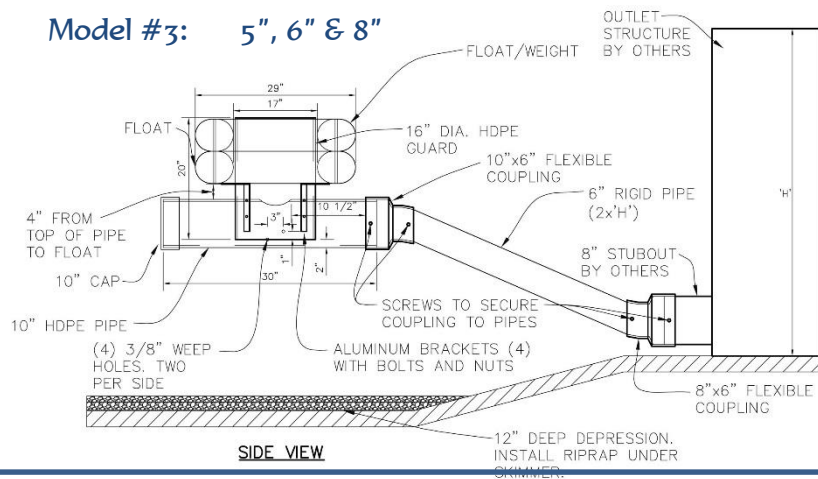
Model #2



PEAK FLOW RATES* (CFD / CFS)

- 3" – 16,538 / 0.191
- 4" – 25,394 / 0.294
- 5" – 30,342 / 0.351

Model #3: 5", 6" & 8"



Model #3



PEAK FLOW RATES* (CFD/CFS)

- 5" – 66,076 / 0.765
- 6" – 71,216 / 0.824
- 8" – 76,357 / 0.883

* Rates measured in cubic feet per day (CFD) and cubic feet per second. For stage discharge info & downloadable design aids, please visit our website - www.swfeesaver.com